



RANGE CONCEPT 2018



BODART & GONAY

# BODART & GONAY

Founded in 1957, Bodart & Gonay have always had a passion for a job well done job.

Designer of the first fireplace inserts in the late 1970s, after selling thousands of traditional wood burning fires at the time of the first oil crisis, it has continuously modernised its appliances. Its aim is to offer a choice rich in design in its wide range of insert fireplaces, while meeting the increasingly stringent standards regarding the quality of combustion and emissions into the atmosphere. All this for you to enjoy the pleasure of a fire...



# RANGE CONCEPT

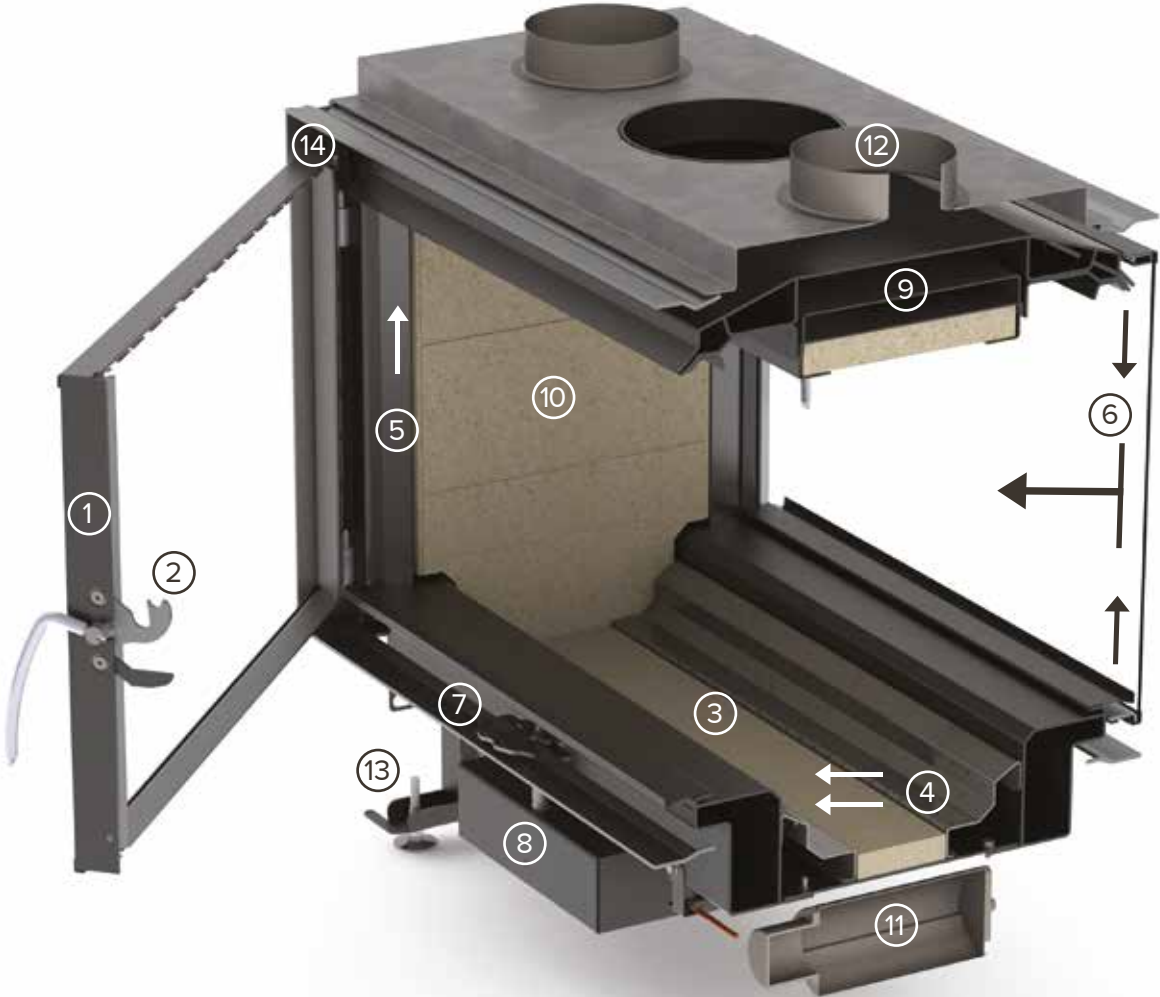
*This new generation of wood-burning fireplaces is an accumulation of know-how by Bodart & Gonay, which for 60 years, has been innovating and applying the most efficient techniques in designing of extremely robust and increasingly efficient fireplaces. The culmination of all this research is the creation of the CONCEPT range. It was a difficult challenge to achieve:*

- **GREAT VIEW OF THE FIRE:** the widely dimensioned flames leave very little room for the metal structure of the hearth and the door.
- **CLEAN GLASS:** a permanent double smoke evacuation of the glass window, combined with an almost total combustion, guarantees a clear view of the flames.
- **SOMBRE DESIGN:** The controls of the insert are extremely discreet, but very easy to use.
- **EASE of use:** A simple manual control allows to choose an intensity of fire adapted to the needs of the moment. The automatic thermostat control module regulates the air intake to keep the heat constant.
- **SILENT operation:** If the ventilation is an indispensable comfort to diffuse the heat evenly in the room, one wants it silent or even inaudible. The choice of latest, most efficient and quietest fans on the market, coupled with the ability to start a fire with the ventilation off when not required, guarantees this precious silence.



- **WIDE range of power:** While some are looking for a low power heating system for a building recently insulated, others are looking for a powerful fireplace, capable of heating energy intensive homes, sometimes large spaces. The CONCEPT range offers a very wide range of powers (4 to 18 Kw).
- **AIRTIGHT FIREPLACES:** New buildings, totally insulated require airtight wood burning appliances, that take the air for combustion directly outside.
- **HIGH performance, NEARLY COMPLETE COMBUSTION, very little PARTICLES emitted:** To meet the increasingly stringent standards, as well as the growing demand of customers who wish to heat while respecting the environment, we have particularly studied the combustion of the CONCEPT fires. An adjustable baffle allows a maximum heat recovery and adaptation of the CONCEPT according to the chimney draft.

"THE" CONCEPT



## « THE CONCEPT » : the 14 strong points of the range.

1 - The door structure is placed behind the glass, and the door stiles are tilted inwards. This is what visually identifies this model range, and allows to maximise the view of the fire. Thanks to its discreet locking system and removable handle, the façade offers a refined view of the fire.

2 - The new two positions latch allows the door to be left ajar at start-up to avoid condensation of the glass.

3 - The combustion chamber has been optimised, it is deep, stepped, which concentrates the combustion bed in the centre of the fireplace. This provides greater flexibility of operation. The air intake can be either downwards or backwards (available for single sided fires).

4 - Primary air is fed under the combustion bed at two different levels to ensure an easy ignition and controlled air supply throughout the combustion cycle. Stainless steel primary air channels are easily removable.

5 - Secondary air and smoke air are heated through the air channels surrounding the heating chamber.

6 - The smoke air thus heated is brought above and below the glass door. Deflectors allow this air to be guided onto the glass to guarantee a clean window. These two curtains of air meet halfway and act as secondary air to guarantee a total combustion.

7 - The control system can be used to adjust the power level of the appliance in a single command. Clear indicators “+” and “-“ simplify the use and management of the fire. This command remains cold and is discreet but effective.

8 - The thermostat controls the primary air. It allows the adjustment of the fire, and protects the device from overheating.

9 - The adjustable baffle allows maximum heat to be returned to the combustion bed, and to guide gases to increase the efficiency of the appliance, and to adapt the fire to the chimney draft.

10 - The interior of the appliance is available in Skamolex (vermiculite) or metal.

11 - The two fans (available as an option) are equipped with DC motors of the latest generation. These fans consume little energy and are particularly quiet. The automatic fan management system ensures automatic starting and dimming. The speed selector allows the user to choose between 3 operating modes, including a ‘0’ mode in which the fan only turns in the case of overheating. A door switch turns off the ventilation when the door is opened.

12 - The two hot air outlets allow the connected ducts to spread the heat throughout the home.

13 - Robust feet allow precise adjustment of the height of the fireplace.

14 - Frames are available in several versions, and can now be placed and adjusted after completion of the covering.

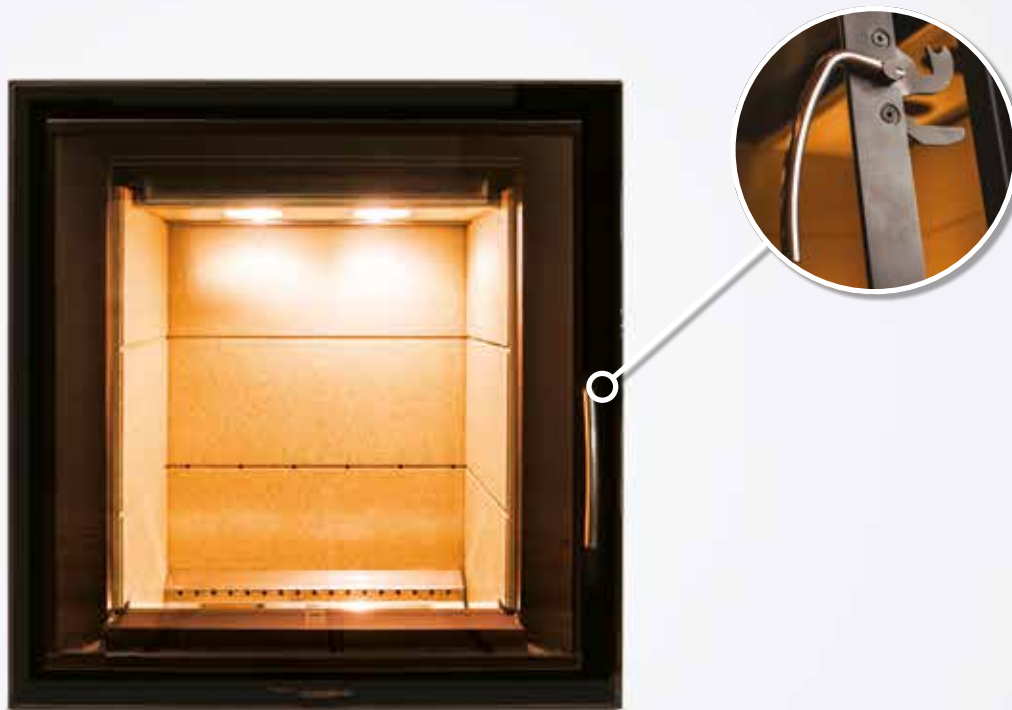


# CONCEPT 540

## *Easy ignition*

The closing mechanism of the door allows it to be locked in a slightly open position.

This additional air intake allows for easier ignition. When the wood is burning, close the door tightly by moving to the 2nd position.



*PS: Each technical feature mentioned from page 6 until page 16 is valid for the entire Concept range.*

# CONCEPT 540 DF

## *Glass Surface*

The unique design of the CONCEPT door maximises the glass surface. The metal structure is extremely discreet. Even the small CONCEPT 540 offers an impressive view of the flames.



# CONCEPT 540 V

## *Silence of a fireplace without ventilation*

The CONCEPT works perfectly without ventilation.

This installation is preferred if the house is well insulated, or equipped with a dual-flow ventilation, which will distribute the heat produced very well.





# CONCEPT 540 V DF

## *Exceptional silent ventilation*

To favour a better distribution of heat in the room, the CONCEPT can optionally be equipped with a particularly quiet and economical ventilation, its energy consumption does not exceed 12 Watts at maximum speed.

We opted for a new generation of fans, which coupled with electronic management bring a silence that had never before been reached.

- Position 0: The ventilation can remain at the stop position, for a total silence. If the temperature of the fireplace rises too much, the ventilation will automatically start to evacuate excess heat. The fireplace and surrounding masonry are thus protected from overheating.
- Position 1: You opt for a low level of ventilation, and a high level of silent operation.
- Position 2: You need to quickly raise the temperature of the room. You choose a high level of ventilation.



*PS: Each technical feature mentioned from page 6 until page 16 is valid for the entire Concept range.*

# CONCEPT 690

## *Clean glass*

The windows of the CONCEPT hardly ever get dirty.

They are protected by a double curtain of smoke extraction air, combined with near total combustion, leaves a clean window, requiring a minimum of maintenance.



# CONCEPT 690 DF

## *Automatic and manual fire control*

The fire can be easily adjusted by turning the control towards + or -.

The thermostat then regulates the chosen programme automatically to keep a constant state, and thus optimal thermal comfort.

An air passage keeps the control cold, and so it can be handled without special tools or gloves.

The discretion of this control is also one of the highlights of the CONCEPT range.



# CONCEPT 790

## *Choice of interior material:*

The two different shields allow you to give the CONCEPT the finish that best suits your interior decoration.

Either you opt for a Skamolex, with its clear finish that will give you a luminous fire. Or you prefer the sobriety of metal?



# CONCEPT 790 DF

## *Finishing Frames*

The CONCEPT range offers discreet and aesthetic frames.

For a perfect finish, they are adjustable in depth.

- Frame 4mm: minimalist finish
- Frame 30mm: a covering of the masonry, with a more assertive presence. Its sharp-edged construction gives it a light appearance.



# CONCEPT 790 V

## *Elegant and retractable door handle*

This elegant handle makes it easy to open the door.

It is easy to remove for an aesthetic even more pure..., or for safety, to prevent children having access to the fire without surveillance.



*PS: Each technical feature mentioned from page 6 until page 16 is valid for the entire Concept range.*

# CONCEPT 920

## *Adjustable baffle*

It contributes to the high performance of the Concept and It contributes to the high performance of the CONCEPT and its optimal heat recovery.

The adjustment of the baffle makes it possible to perfectly adapt the CONCEPT to the draft of the chimney.

This is essential for a combustion bed to give maximum performance in all situations.

It can easily be dismantled for chimney sweeping.



# CONCEPT 920 DF

## *Easy ash removal*

A tray with a lid, the width of the base of the CONCEPT makes it easy to recover the ashes.

Only one passage and all the ashes are removed!



*PS: Each technical feature mentioned from page 6 until page 16 is valid for the entire Concept range.*



# KONTURO

Metallic surroundings for all single and double-sided CONCEPTs.

## *Minimalist and elegant*

Only the door is visible: the technical part is hidden by a personalised base.



# KONTURO COMPACT

Metallic surroundings for all single and double-sided CONCEPTs.

*Discreet surrounding, integrating the technical part*

They can therefore be placed directly on the ground.

The combustion air intake is always possible under the Konturo Compact.





## KONTURO PLUS

Metallic surroundings for all single and double-sided CONCEPTs (except 540V and 540V DF).

The «outdoor air intake kit» option allows a connection from the base of the surrounding to create a sealed combustion air intake directly from outside.

This option is fully integrated into the Konturo Plus base, without altering the aesthetics.

# KONTURO MURO

Metallic surroundings for all single sided CONCEPTs (except the 540V).

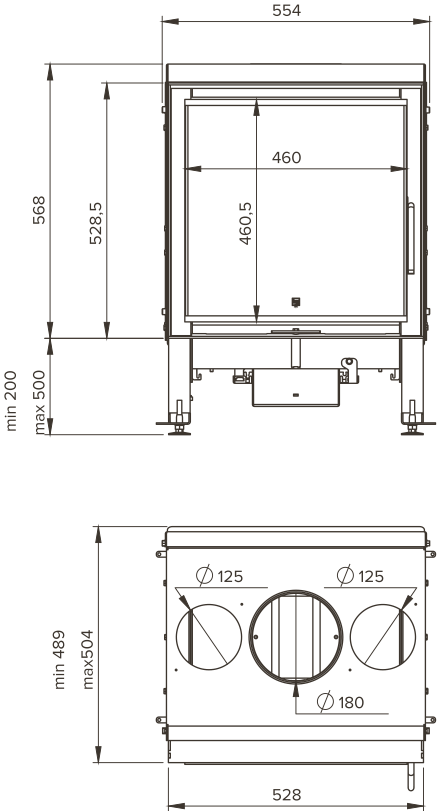
A combustion air intake directly from outside is possible at the rear of the Konturo Muro.

This option is fully integrated into the Konturo Muro base, without altering the aesthetics.

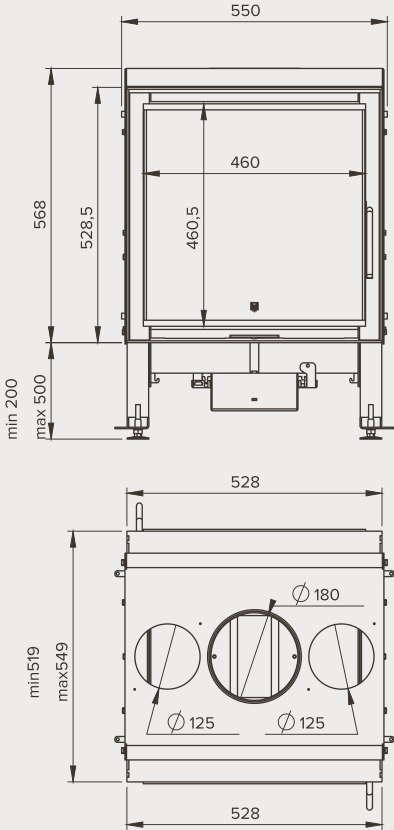


# DIMENSIONS CONCEPT

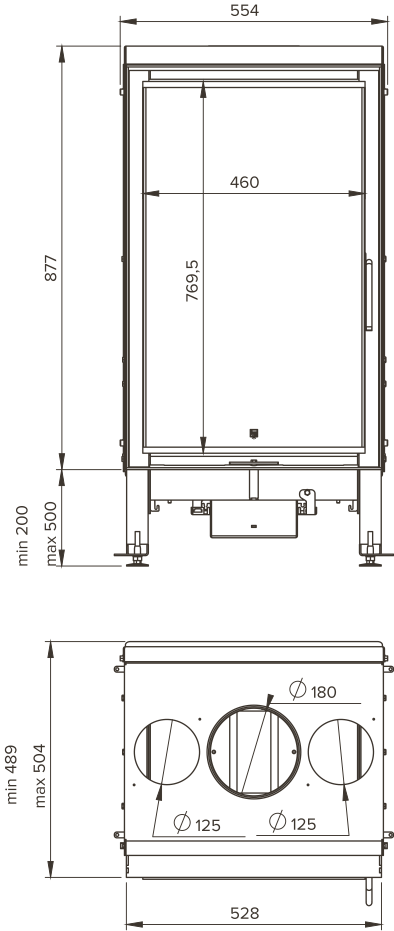
CONCEPT 540



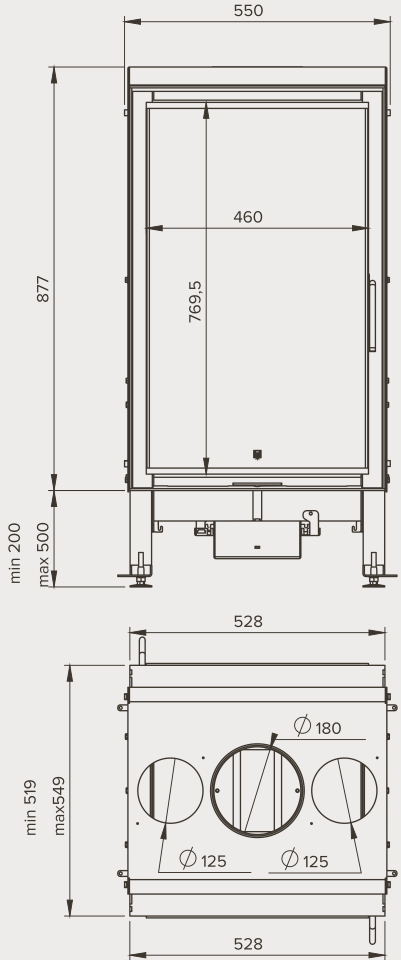
CONCEPT 540 DF



CONCEPT 540 V



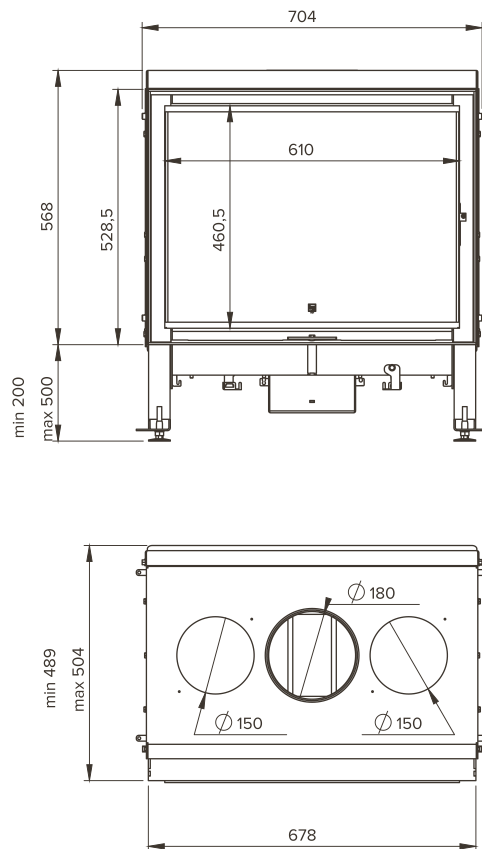
CONCEPT 540 V DF



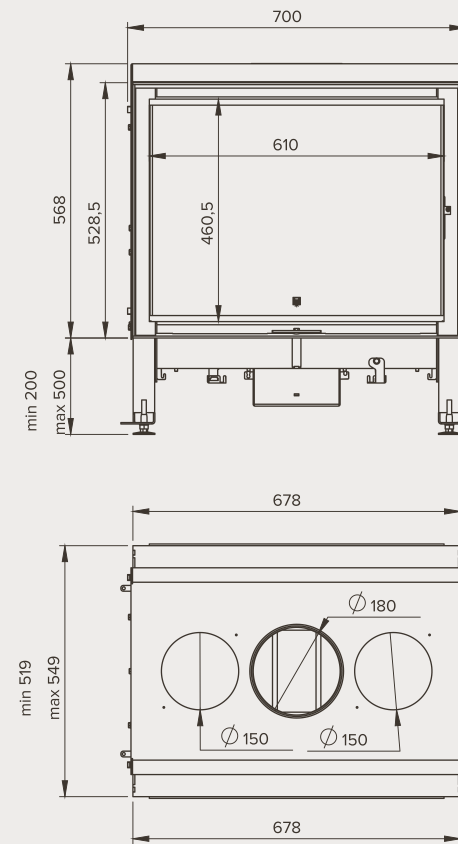
Outside air intake Ø 125 mm

# DIMENSIONS (NEXT)

## CONCEPT 690

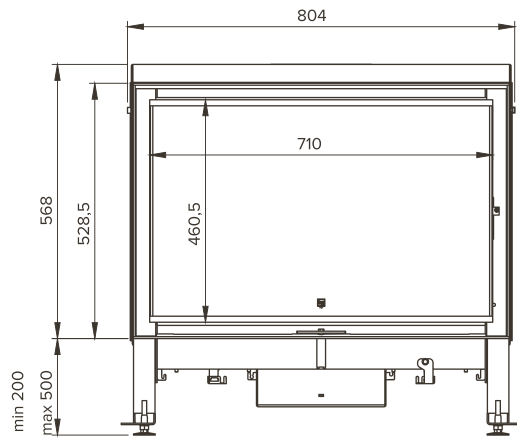


## CONCEPT 690 DF

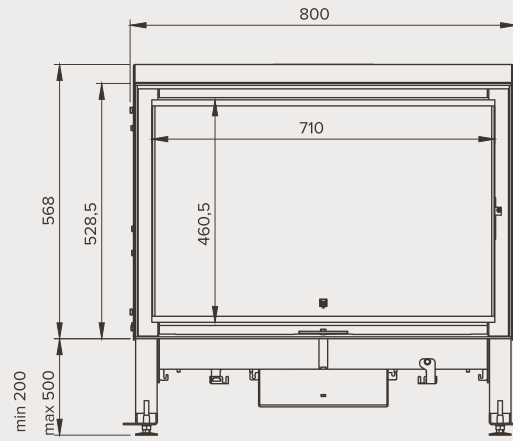


Outside air intake  $\varnothing$  125 mm

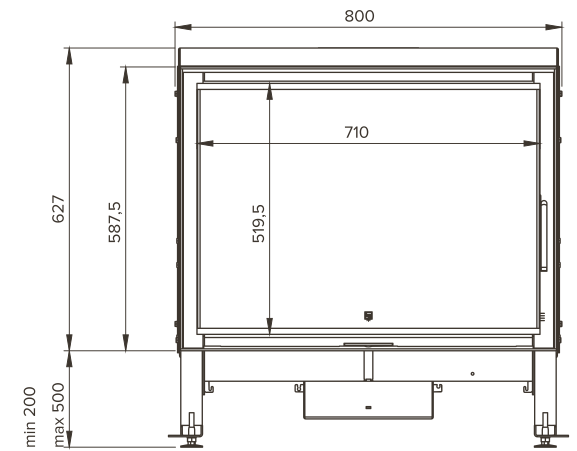
### CONCEPT 790



### CONCEPT 790 DF



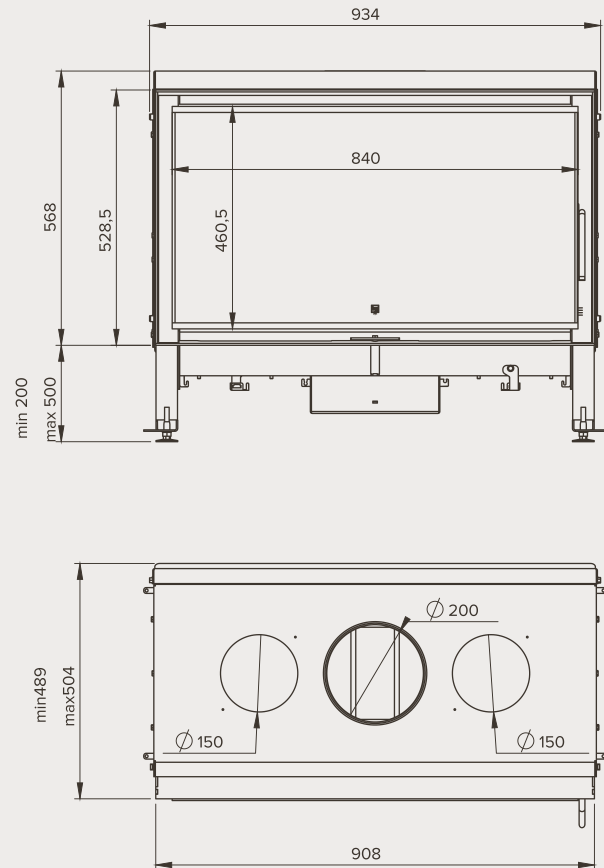
### CONCEPT 790 V



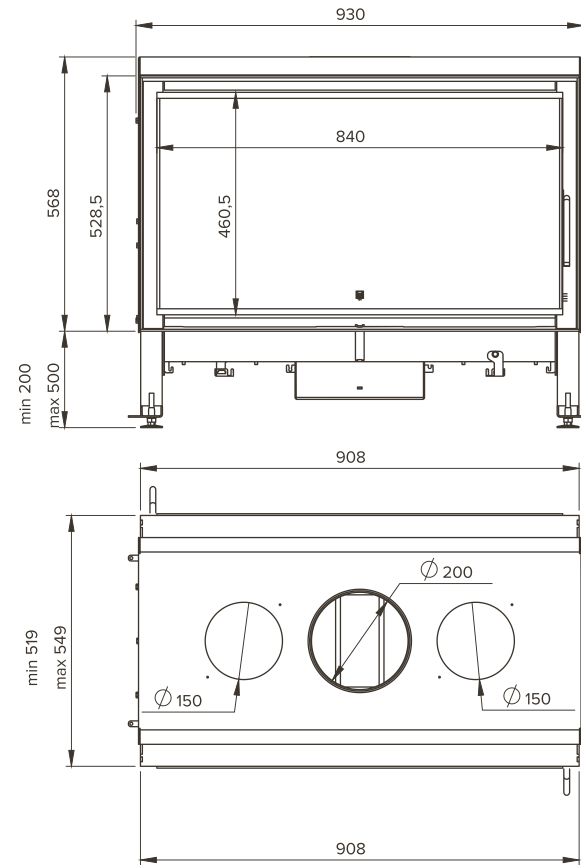
Outside air intake  $\varnothing$  125 mm

# DIMENSIONS CONCEPT

## CONCEPT 920



## CONCEPT 920 DF

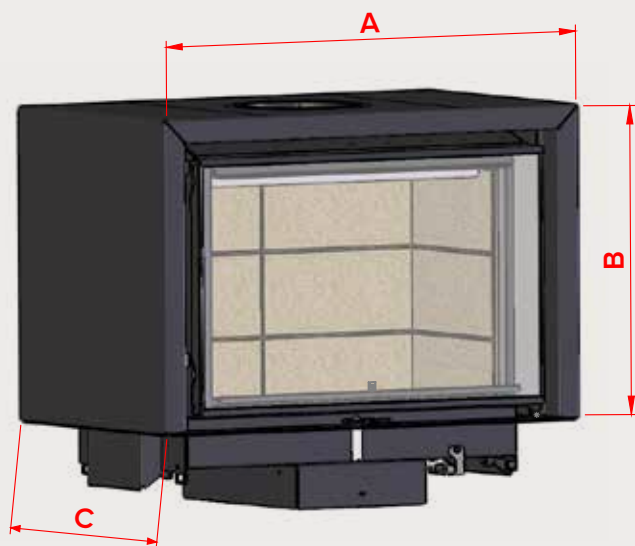


Outside air intake  $\varnothing 125$  mm



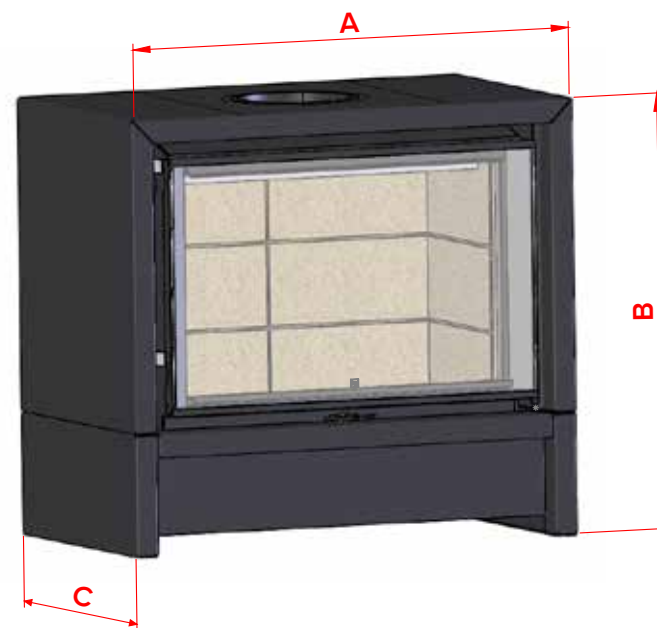
# DIMENSIONS KONTURO

KONTURO SF & DF



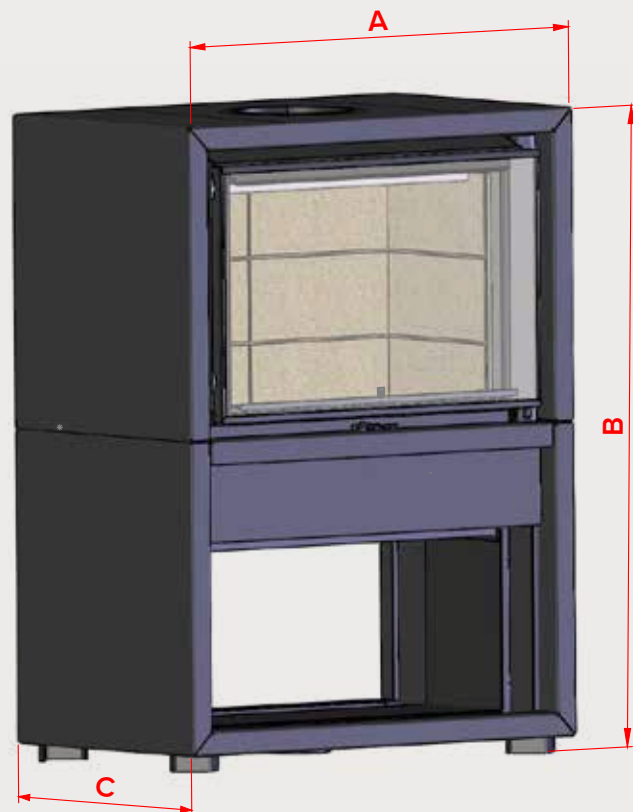
	540	540 V	690	790	790 V	920
A	606 mm	606 mm	756 mm	856 mm	856 mm	986 mm
B	566 mm	875 mm	566 mm	566 mm	625 mm	566 mm
C	526 mm	526 mm	526 mm	526 mm	526 mm	526 mm

KONTURO COMPACT SF & DF



	540	540 V	690	790	790 V	920
A	606 mm	606 mm	751 mm	851 mm	851 mm	981 mm
B	783 mm	1100 mm	783 mm	783 mm	842 mm	783 mm
C	526 mm	526 mm	526 mm	526 mm	526 mm	526 mm

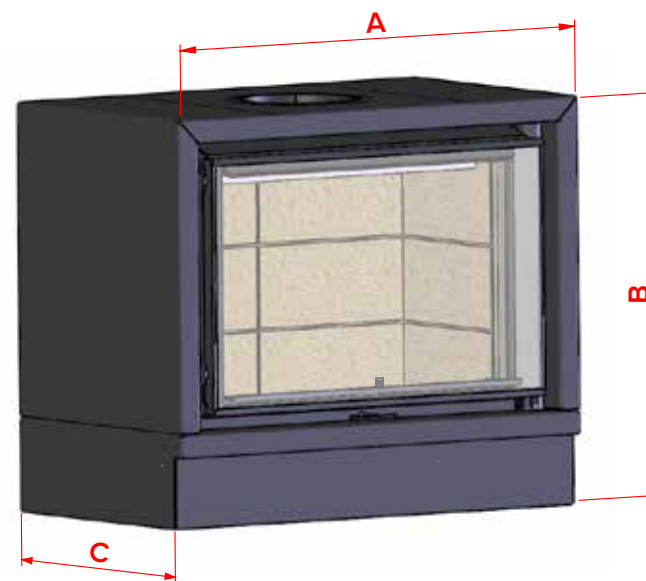
### KONTURO PLUS SF & DF



	540	690	790	790 V	920
A	606 mm	756 mm	856 mm	856 mm	986 mm
B	1156 mm	1156 mm	1156 mm	1215 mm	1156 mm
C	526 mm	526mm	526 mm	526 mm	526 mm

Outside air intake kit available on option for Konturo Plus

### KONTURO MURO SF



	540	690	790	790 V	920
A	606 mm	756 mm	856 mm	856 mm	986 mm
B	734 mm	734 mm	734 mm	793 mm	734 mm
C	526 mm	526mm	526 mm	526 mm	526 mm

## PERFORMANCE CHART

	540 SF	540 DF	540 V SF	540 V DF	690 SF	690 DF	790 SF	790 DF	790 V SF	920 SF	920 DF
Range of use (KW)	4 à 8 kW	4 à 8 kW	5 à 12 kW	5 à 12 kW	6 à 12 kW	6 à 12 kW	7 à 14 kW	7 à 14 kW	7 à 14 kW	8 à 18 kW	8 à 18 kW
Approvals	Approvals   Phase III of R.D. 12/10/2017 (Belgium) – Green flame7* - Environmental index: .4 (France) – EN 13229 (European Standard)										

## TABLE OF OPTIONS

✓: Option to choose – free €: Option to be paid

		540 SF	540 DF	540 V SF	540 V DF	690 SF	690 DF	790 SF	790 DF	790 V SF	920 SF	920 DF
Interior	Skamolex	✓	✓	✓	✓	✓	✓	✓	✓	✓	✓	✓
	Metal	€	€	€	€	€	€	€	€	€	€	€
Frame	4 mm	✓	✓	✓	✓	✓	✓	✓	✓	✓	✓	✓
	30 mm	✓	✓	✓	✓	✓	✓	✓	✓	✓	✓	✓
Fan set		€	€	€	€	€	€	€	€	€	€	€
Log retainer set		€	€	€	€	€	€	€	€	€	€	€

The text illustrations, photos and characteristics contained in this catalogue are not contractual and correspond to the current data at the time of printing. BG FIRES reserves the right to make any modification required in the context of future technical developments, without any notice.



BODART & GONAY

Rue de Lambinon, 3 - Parc artisanal de Harzé - 4920 Harzé - Belgique

[www.bgfires.com](http://www.bgfires.com)